

PRESS RELEASE

FOR IMMEDIATE RELEASE

LYNX Technik Announces New 12Gbit Dual Channel SDI Fiber Transmitter with CWDM

June 25, 2020 – Weiterstadt, Germany – LYNX Technik, provider of modular signal processing interfaces, announces its new yellowbrik 12Gbit Dual Channel SDI fiber transmitter with CWDM technology.

To address rising bandwidth demands, higher-speed connections, and higher quality imagery and content, media facilities are looking to continuously update their fiber infrastructure cost-effectively and flexibly.

LYNX Technik's new yellowbrik (model: OTT 1442) reduces the cost of transmitting uncompressed 12G SDI video signals over fiber and over long distances up to 10 km (6.2 miles). The CWDM technology combines multiple signal wavelengths into a single fiber optic cable, which helps to reduce expensive multi-fiber cabling costs. The OTT 1442 gives nine pairs of wavelength choices covering all 18 CWDM wavelengths.

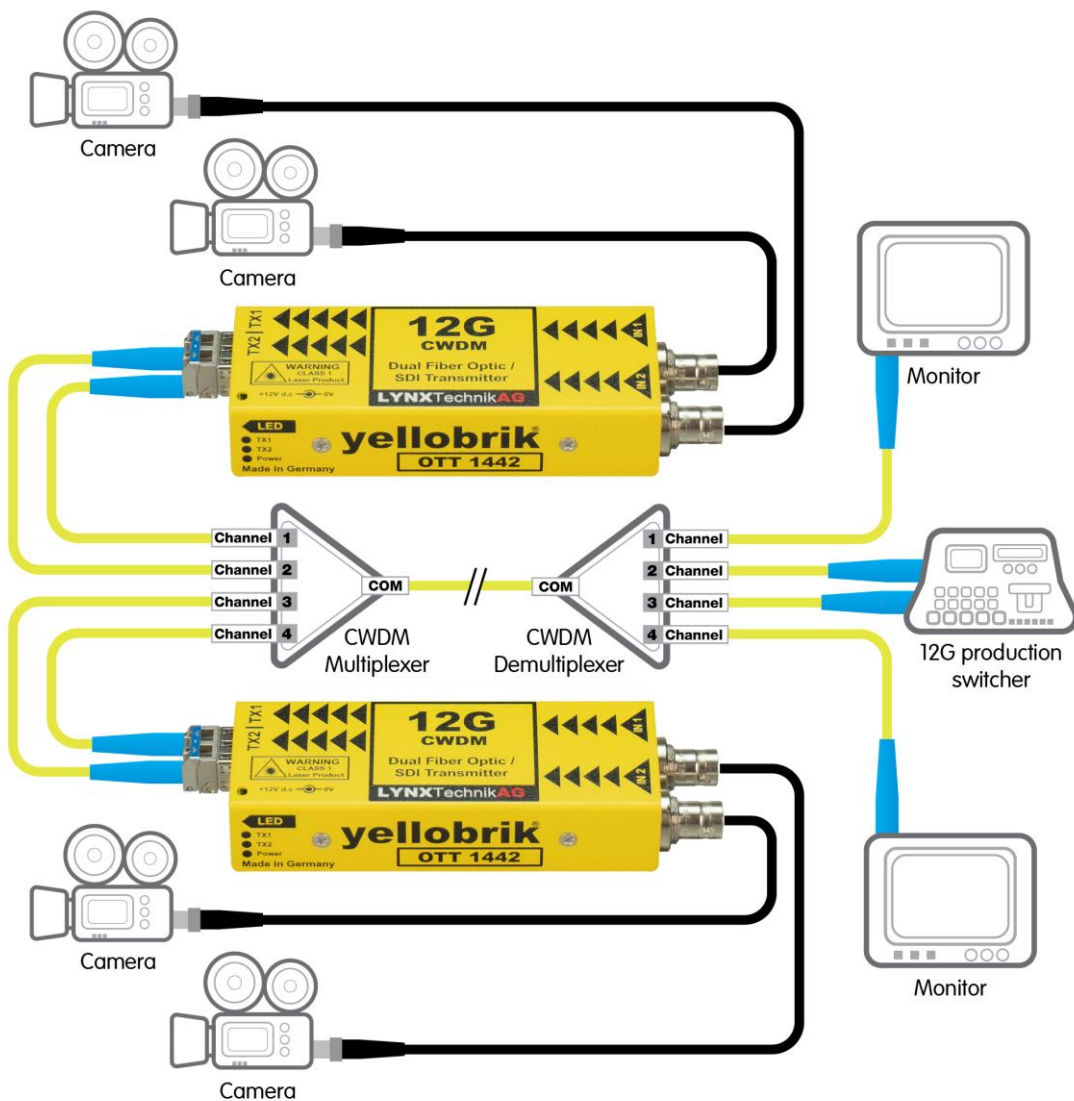
The two input and output channels operate independently from each other and are fully automatic, whereby incoming signals (up to 12G SDI) are auto-detected and re-clocked before they are transmitted. This ensures that different standards and formats to be carried on each channel. The auto-feature means that no user settings are required, ensuring the module is plug-and-play.

The compact OTT 1442 yellowbrik module can be paired with LYNX Technik fiber receivers, as well as multiplexers/de-multiplexers, providing a cost-effective CWDM fiber system for up to 18 signals on a single fiber link.

They can also be used as standalone devices, individually mounted, or used with the 19" yellowbrik rack trays to build a larger 12G transport solution.

PRESS RELEASE

FOR IMMEDIATE RELEASE



PRESS RELEASE

FOR IMMEDIATE RELEASE

About LYNX Technik:

LYNX Technik AG[®] was founded in 2002 and is now an industry leader and technology provider of software and hardware interface solutions for real-time signal processing in audio visual environments. LYNX Technik is an independent privately-owned company with its headquarters, research and manufacturing facilities based in Weiterstadt, Germany. Sales and Support is covered through secondary distribution channels managed from its headquarters in Germany, USA (California), and Asia (Singapore).

Product brands include: greenMachine[®] multi-purpose processing platform, yellobrik[®] standalone plug-and play modules, Series 5000[™] rack and card-based series, APPolo control system and the Testor | lite 3G digital test signal generators.

Products include: audio / video / fiber conversion, audio / video distribution, fiber splitters, CWDM mux/demux, audio embedding / de-embedding, audio delay, image processing, frame synchronizers, test generators, 4K transmission solutions, as well as a line of rack frames and accessories.

For more information about LYNX Technik's products & services please visit: www.lynx-technik.com, www.lynx-usa.com. For sales please email info@lynx-technik.com. You can also find LYNX Technik on [Facebook](#), [Twitter](#), and [LinkedIn](#).

Press Contact:

Kimberley Hebdon
Delamere Marketing
Los Angeles, California USA
Portland, Oregon USA
Phone: 310-469-8190
Email: kim@delameremarketing.com
Skype: fullerkim